


# Snap-In Cable Glands, EMC 4, Brass

## EMC cable glands with open moving spring contact, front-side assembly, without thread

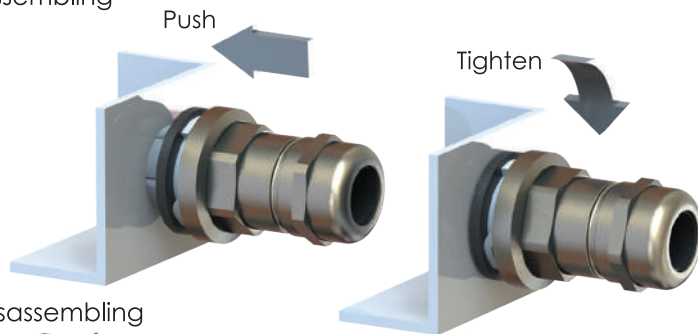
- Specially designed EMC protective cable glands - easy to assemble to housings without threaded holes.
- Vibration proof EMC performance.
- Long-lasting contact by high definition contact spring.
- Moving spring contact offers reduced risk of sheath damage.
- Easy assembly and disassembly of cable. Spring closes and opens according to fastening of the cap.
- Easy movement of cable as long as not fastened.
- Easy assembly: push cable gland and turn body clockwise - prepare cable sheath - insert cable - tighten cap.
- Perfectly fit to wall thickness 0,5 mm to 4,0 mm.
- High quality strain relief and sealing, reliable performance for EMC applications.

### Technical Details

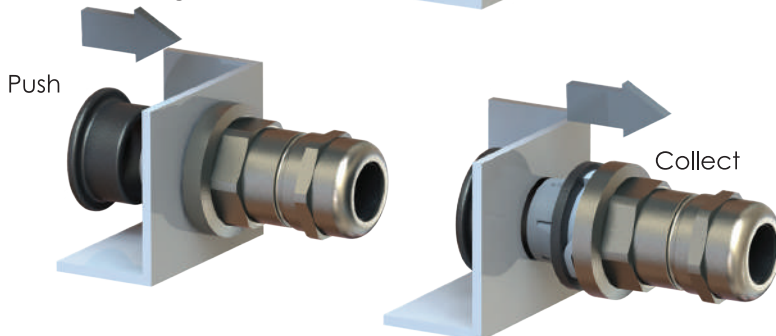
|  |  |  |  |
|--|--|--|--|
| <b>Material</b>  | <b>Body, Cap</b>   | Brass Nickel plated  |  |
|  | <b>Seal</b>  | CR (Chloroprene)   |  |
|  | <b>Gasket</b>  | CR (Chloroprene)   |  |
|  | <b>Clamping Insert</b>   | PA 6 (Polyamide 6)   |  |
|  | <b>Lower Body</b>  | PA 6 (Polyamide 6)   |  |
|  | <b>Contact Spring</b>  | Special Copper Alloy   |  |
| <b>Ingress Protection Rating</b>   |  | IP 68 - 5 Bar, 30 min  |  |
|  |  | IP 66  |  |
| <b>Flammability</b>  | V2 according to UL94   |  |  |
| <b>Operating Temperature</b>   | <b>Permanent</b>   | -20 °C to +100 °C  |  |
|  | <b>Intermittent</b>  | -40 °C to +150 °C  |  |
| <b>Cable Type</b>  | Shielded   |  |  |
| <b>Accessories</b>   | <ul style="list-style-type: none"> <li>• Dome plugs</li> <li>• Disassembly tool (one piece included per Minimum Order Quantity)</li> </ul> |  |  |
|  | <b>Remarks</b>   | <ul style="list-style-type: none"> <li>• Manufactured according to DIN EN 62444/50262.</li> <li>• Accessories must be ordered separately.</li> </ul> |  |
| <b>Approvals</b>   | <b>Certificate Number</b>  | <b>Standards</b>   |  |
|  | SERCOVAM RES 107572  | acc. to UL514B §8.26.7   |  |



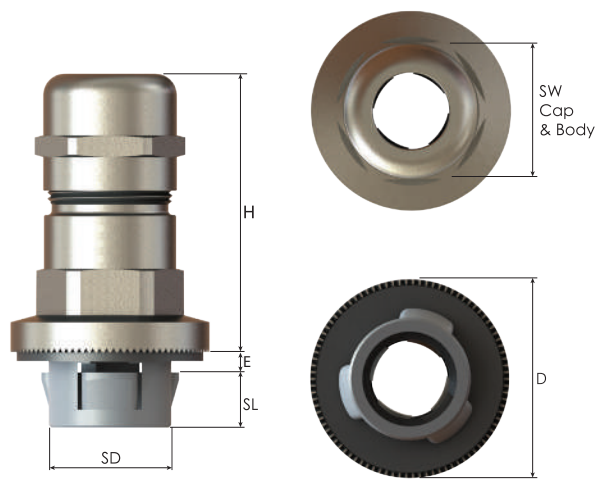
Assembling



Disassembling

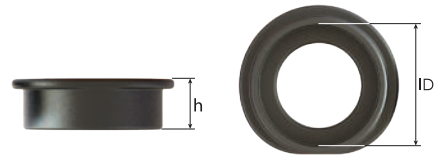
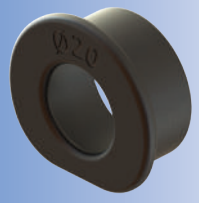


## Snap-In Cable Glands, EMC 4 Brass



wall thickness (E) : 0,5 - 4,0 mm

| Snap Size | Clamping Range<br>Ø min-max<br>mm | Shield Diameter<br>Ø min-max<br>mm | Snap Length |       | Enclosure Hole Ø<br>HD mm | Spanner Width |            | Outer Ø<br>D mm | max. Height<br>H mm | Part Number  | Minimum Order Quantity |
|-----------|-----------------------------------|------------------------------------|-------------|-------|---------------------------|---------------|------------|-----------------|---------------------|--------------|------------------------|
|           |                                   |                                    | SL mm       | SD mm |                           | SW Cap mm     | SW Body mm |                 |                     |              |                        |
| 20        | 6,0 - 12,0                        | 4,5 - 10,0                         | 9,0         | 19,9  | 20,2 - 20,4               | 22            | 22         | 32,3            | 52,5                | BMEOS-E2S(T) | 150                    |



## Snap-In Cable Gland Disassembling Tool

**Tool to disassemble Snap-In Glands**

Technical Details

|          |                    |
|----------|--------------------|
| Material | PA 6 (Polyamide 6) |
|----------|--------------------|

| For Gland Size | Inner Ø<br>ID mm | Height<br>h mm | Part Number |
|----------------|------------------|----------------|-------------|
| 20             | 20,0             | 13,0           | BEX-20      |